

Direct-Activated Pressure Reducing Valve

RET Series (BS EN 1567)

(Duplex Stainless Steel)



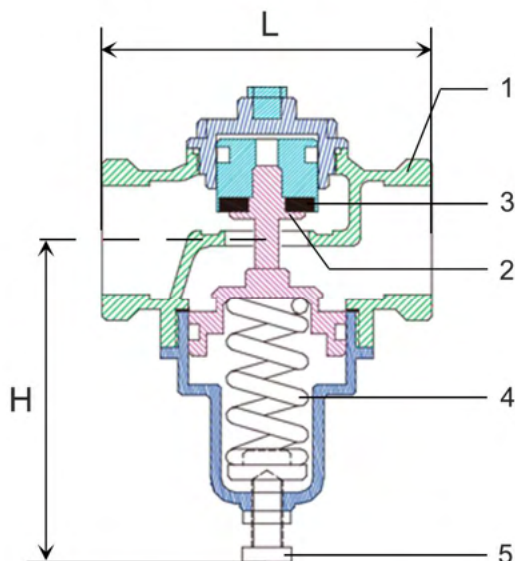
Body Marking

Features

- Screw end pressure reducing valve
- Balanced-pressure gate ensures stable outlet pressure
- Quick response and accurate in pressure adjustment
- Applicable medium : water
- Size from 15mm ~ 50mm
- Working pressure : 16 bar
- Temperature range : 0°C ~ 80°C
- Maximum applied pressure : 20 kgf/cm²
- Pressure adjusting range :
1~6 kgf/cm² , 4~10 kgf/cm² and 8~13 kgf/cm²

Sectional Drawing

Parts Material



No	Part Name	Material	Standard
1	Body	Duplex Stainless Steel	BS EN 10088 1.4462
2	Seat	Stainless Steel 316	BS EN 10283 1.4408*
3	Sealing Rubber	Viton	BS 6920
4	Spring	Spring Steel	
5	Adjusting Stem	Stainless Steel 316	

*For 15mm, stainless steel 316 of seat comply with BS EN 10088 1.4401.

Dimensions

Model	DN	L (mm)	H (mm)	Weight (kg)
RET15-DS	15	70	80	0.8
RET25-DS	25	90	105	1.1
RET40-DS	40	115	130	2.2
RET50-DS	50	120	130	3.1

Direct-Activated Pressure Reducing Valve REF Series (BS EN 1567)

(Duplex Stainless Steel)

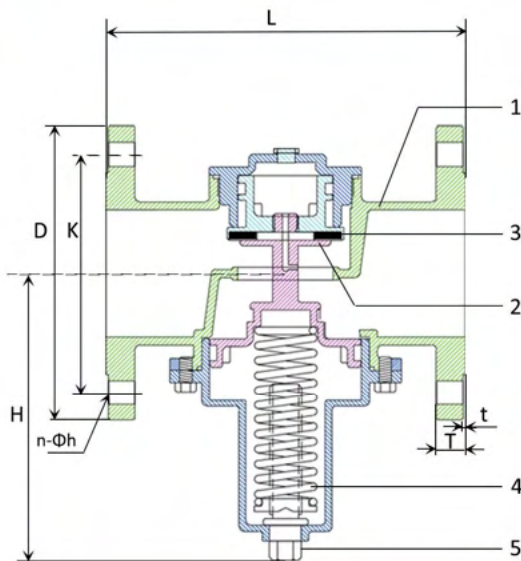


Body Marking

Features

- Flange end pressure reducing valve
- Balanced-pressure gate ensures stable outlet pressure
- Quick response and accurate in pressure adjustment
- Applicable medium : water
- Size from 50mm ~ 150mm
- Temperature range : 0°C ~ 80°C
- Maximum applied pressure : 20 kgf/cm²
- Flange Type : PN16 (BS EN 1092-1)
- Pressure adjusting range : 1~6 kgf/cm², 4~10 kgf/cm² and 8~13 kgf/cm²

Sectional Drawing



Parts Material

No	Part Name	Material	Standard
1	Body	Duplex Stainless Steel	BS EN 10088 1.4462
2	Seat	Stainless Steel 316	BS EN 10283 1.4408
3	Sealing Rubber	Viton	BS 6920
4	Spring	Spring Steel	
5	Adjusting Stem	Stainless Steel 316	

Dimensions

Model	DN	L (mm)	H (mm)	T (mm)	t (mm)	D (mm)	K (mm)	n - Øh	Weight (kg)
REF50-DS	50	192	130	18	2	165	125	4 - Ø18	6.5
REF65-DS	65	210	185	18	2	185	145	4 - Ø18	11.5
REF80-DS	80	225	185	20	2	200	160	8 - Ø18	12
REF100-DS	100	250	230	20	2	220	180	8 - Ø18	19
REF150-DS	150	310	290	22	2	285	240	8 - Ø22	45

Manufacturer : Elite Line Industrial Corporation
 Factory Address : No. 41, Sec. 2, New Taipei Blvd.Sanchong Dist., New Taipei City 241,Taiwan, R.O.C.



SUPERPOWER PUMPING ENGINEERING CO., LTD.

G/F., Times Tower, 928-930 Cheung Sha Wan Road, Kowloon, Hong Kong
 Service Hotline: (852) 2746 4933
 Website: www.sppump.com
 Fax: (852) 2786 2307
 Email: info@sppump.com

While the production techniques continue to improve, designs and materials used for the products may thus be varied from time to time. No further notice will be provided.

Direct-Activated Pressure Reducing Valve

RET Series (BS EN 1567)

(Stainless Steel 316)



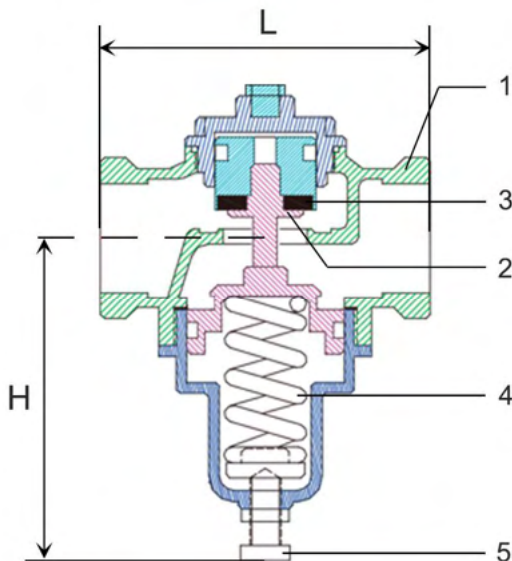
Body Marking

Features

- Screw end pressure reducing valve
- Balanced-pressure gate ensures stable outlet pressure
- Quick response and accurate in pressure adjustment
- Applicable medium : water
- Size from 15mm ~ 50mm
- Working pressure : 16 bar
- Temperature range : 0°C ~ 80°C
- Maximum applied pressure : 20 kgf/cm²
- Pressure adjusting range :
1~6 kgf/cm² , 4~10 kgf/cm² and 8~13 kgf/cm²

Sectional Drawing

Parts Material



No	Part Name	Material	Standard
1	Body	Stainless Steel 316	BS EN 10283 1.4408*
2	Seat	Stainless Steel 316	BS EN 10283 1.4408*
3	Sealing Rubber	Viton	BS 6920
4	Spring	Spring Steel	
5	Adjusting Stem	Stainless Steel 316	

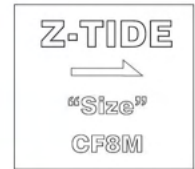
*For 15mm, stainless steel 316 of body and seat comply with BS EN 10088 1.4401.

Dimensions

Model	DN	L (mm)	H (mm)	Weight (kg)
RET15-S6	15	70	80	0.8
RET25-S6	25	90	105	1.1
RET40-S6	40	115	130	2.2
RET50-S6	50	120	130	3.1

Direct-Activated Pressure Reducing Valve REF Series (BS EN 1567)

(Stainless Steel 316)

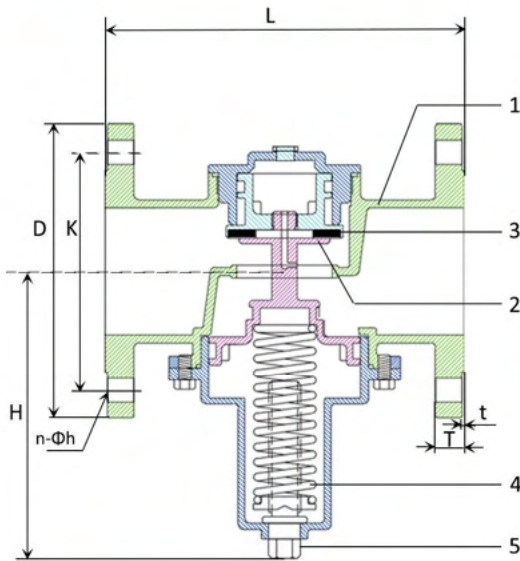


Body Marking

Features

- Flange end pressure reducing valve
- Balanced-pressure gate ensures stable outlet pressure
- Quick response and accurate in pressure adjustment
- Applicable medium : water
- Size from 50mm ~ 150mm
- Temperature range : 0°C ~ 80°C
- Maximum applied pressure : 20 kgf/cm²
- Flange Type : PN16 (BS EN 1092-1)
- Pressure adjusting range :
1~6 kgf/cm², 4~10 kgf/cm² and 8~13 kgf/cm²

Sectional Drawing



Parts Material

No	Part Name	Material	Standard
1	Body	Stainless Steel 316	BS EN 10283 1.4408
2	Seat	Stainless Steel 316	BS EN 10283 1.4408
3	Sealing Rubber	Viton	BS 6920
4	Spring	Spring Steel	
5	Adjusting Stem	Stainless Steel 316	

Dimensions

Model	DN	L (mm)	H (mm)	T (mm)	t (mm)	D (mm)	K (mm)	n - Øh	Weight (kg)
REF50-S6	50	192	130	18	2	165	125	4 - Ø18	6.5
REF65-S6	65	210	185	18	2	185	145	4 - Ø18	11.5
REF80-S6	80	225	185	20	2	200	160	8 - Ø18	12
REF100-S6	100	250	230	20	2	220	180	8 - Ø18	19
REF150-S6	150	310	290	22	2	285	240	8 - Ø22	45

Manufacturer : Elite Line Industrial Corporation
Factory Address : No. 41, Sec. 2, New Taipei Blvd.Sanchong Dist., New Taipei City 241,Taiwan, R.O.C.



SUPERPOWER PUMPING ENGINEERING CO., LTD.

G/F., Times Tower, 928-930 Cheung Sha Wan Road, Kowloon, Hong Kong
Service Hotline: (852) 2746 4933
Website: www.sppump.com
Fax: (852) 2786 2307
Email: info@sppump.com

While the production techniques continue to improve, designs and materials used for the products may thus be varied from time to time. No further notice will be provided.

Pilot-Type Pressure Reducing Valve

BFR Series (BS EN 1567)

(Stainless Steel 304)

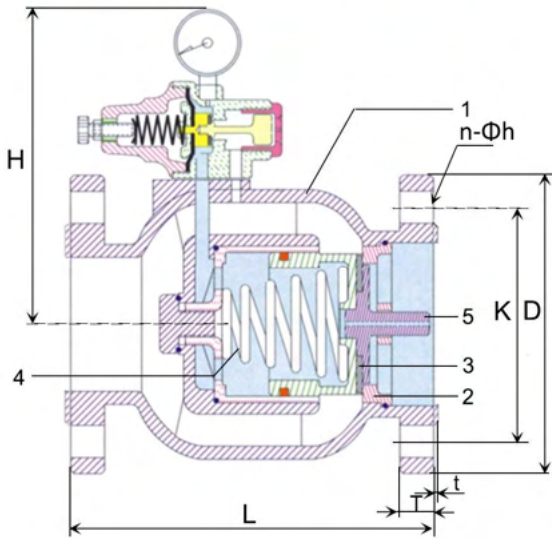


Body Marking

Features

- Flange end pressure reducing valve
- The outlet pressure can be adjusted by the pilot valve, when the setting pressure range is reached
- The pressure gauge on the pilot valve shows the outlet pressure
- Applicable medium : water
- Size from 50mm ~ 150mm
- Working pressure : 16 bar
- Temperature range : 0°C ~ 80°C
- Maximum applied pressure : 20 kgf/cm²
- Flange Type : PN16 (BS EN 1092-1)
- Pressure adjusting range :
1 ~ 7 kgf/cm² and 4 ~ 12 kgf/cm²

Sectional Drawing



Parts Material

No	Part Name	Material	Standard
1	Body	Stainless Steel 304	BS EN 10088 1.4301
2	Seat	Stainless Steel 304	BS EN 10088 1.4301
3	Sealing Rubber	NBR	BS 6920
4	Spring	Spring Steel	
5	Shaft	Stainless Steel 304	

Dimensions

Model	DN	L (mm)	H (mm)	T (mm)	t (mm)	D (mm)	K (mm)	n - Øh	Weight (kg)
BFR50-S4	50	190	180	20	3	165	125	4 - Ø18	12
BFR80-S4	80	225	200	20	3	200	160	8 - Ø18	19
BFR100-S4	100	250	222	22	3	220	180	8 - Ø18	26
BFR150-S4	150	310	260	24	3	285	240	8 - Ø22	50