



SUPERPOWER PUMP

IN-LINE
CENTRIFUGAL PUMP
SPI SERIES: 1450 & 2900 RPM

Pumps Catalogue



30th
Anniversary

years, Superpower is known to be the first company in Hong Kong that connected water pump designing, manufacturing, production, installation, maintenance and 24 hours emergency services.

Aiming to pursue high quality products and services to its valuable customers, and with the support from its parent company, Superpower invests substantial resources in product design, research and enhancement, human resources and business development. Such move will help satisfying customers' needs and ensuring the operation of water supply runs smoothly and will not be affected by external interruption.

Its continued dedication to the industry has enabled Superpower to earn accolades from the trade. In 2001, the award of ISO 9001:2000 certification by SGS, United Kingdom further proved its commitment leads to winning international acclaims and building a solid reputation.

Water pumps is the core product of the Company's manufacturing arm. Today, Superpower's different materials and functional pumps produced for the residential and commercial buildings are ranked as the most popular items in the market. The name of Superpower represents quality water pump and ranks the best selling items in the market.

Today, Superpower employs more than 60 staff overseeing water supply system for over 1000 properties in Hong Kong to provide better after sale services, including luxurious residences, large-scale residential estates, shopping malls, offices, hotels, schools, as well as property management companies. Superpower Pumps installed in Hong Kong including the Benchmark properties such as International Commerce Centre, The Leighton Hill, Manhattan Hill, Dynasty Heights and Grand Promenade.

Apart from the above prestigious buildings, Superpower also serves for some of the prominent property developer as its customers, such as Sun Hung Kai Properties, Henderson Land Development and Sino Land etc.



International Commerce Centre

SUPERPOWER PUMP

INTRODUCTION

SPI In-Line Pumps are a series of vertical in-line pumps designed according to the European Standard BS EN733 / DIN24255.

As in-line pumps are used for pumping clean water or liquids similar to water, with wide application ranging from plants, mines, city water supplies, air-conditioning, fire-fighting, cooling, environmental machinery, irrigation, and etc.

Pump performance can be adjusted into different levels through impeller trimming. Motor shaft is inserted into pump shaft for driving. This way of close-coupling ensures the alignment of pump and motor, therefore pump would be kept very well in operation. SPI series are designed with air-bleeding device, advanced in structure, compact in size, easy to installation and maintain.

DIRECTION OF ROTATION

Clockwise viewing from the drive side

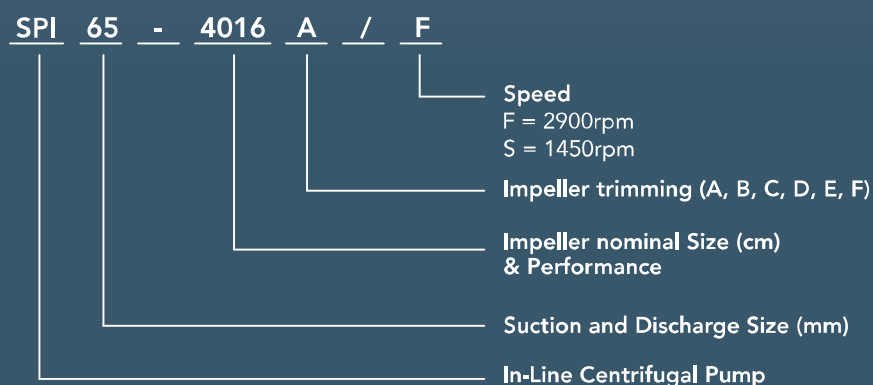
MATERIAL

Casing	-	Cast Iron, Ductile Iron, Stainless Steel
Impeller	-	Bronze, Cast Iron, Stainless Steel
Shaft	-	Stainless Steel 420, Stainless Steel 304, Stainless Steel 316
Shaft Seal	-	Mechanical Seal

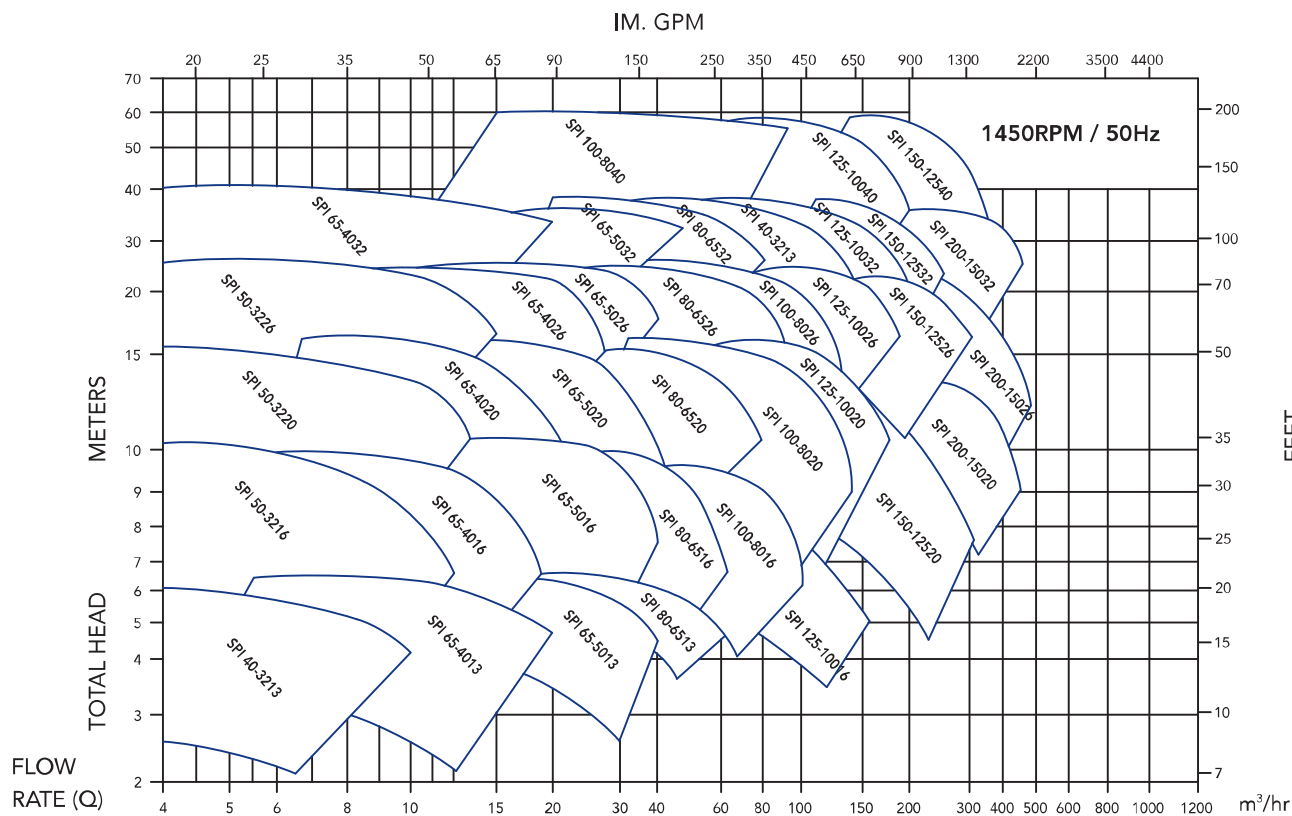
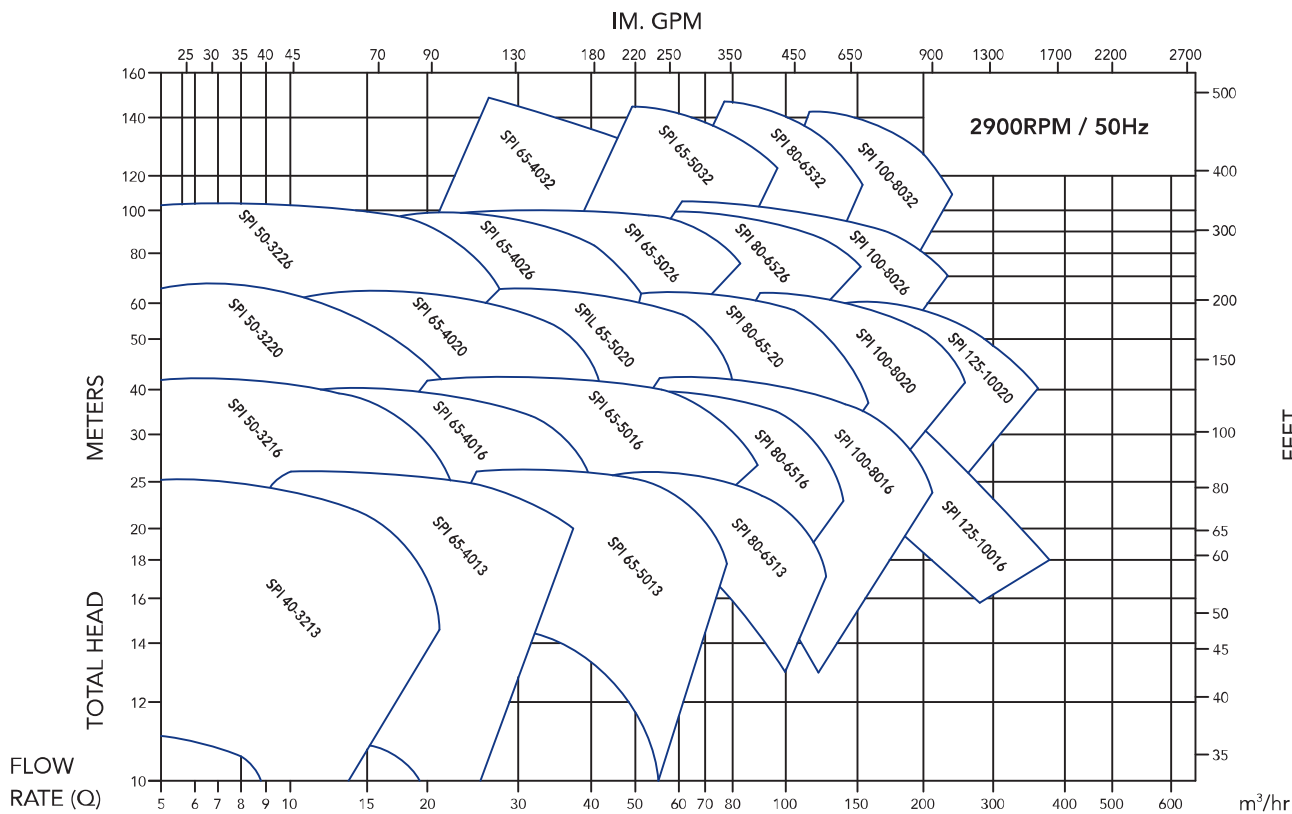
OPERATING CONDITIONS

Flow Rate (Q)	-	2 ~ 450 m ³ /hr
Head (H)	-	2 ~ 100 m
Speed	-	1450 or 2900 rpm (50Hz)
Temperature	-	-10 °C ~ 105 °C
Working Pressure	-	16 Bar

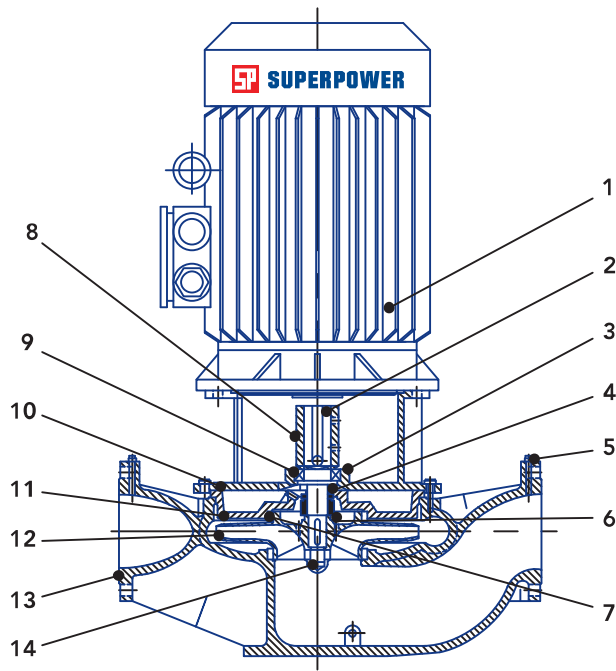
DEFINITION OF MODEL



SELECTION CHARTS

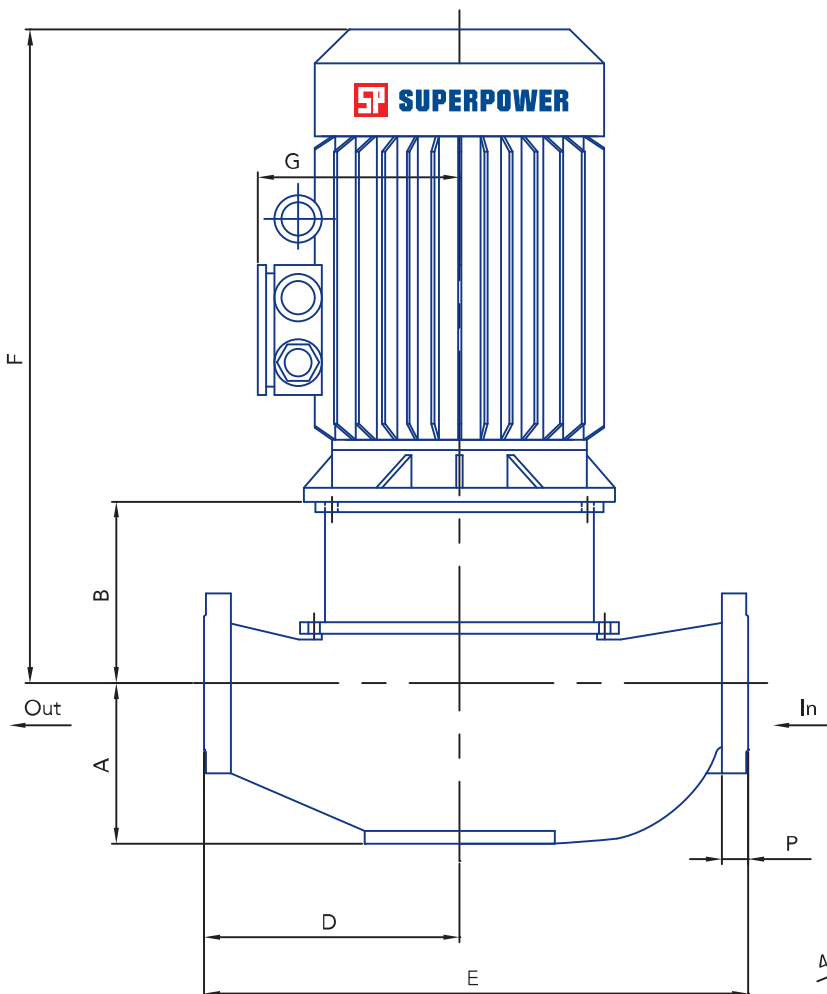


STRUCTURE DRAWING

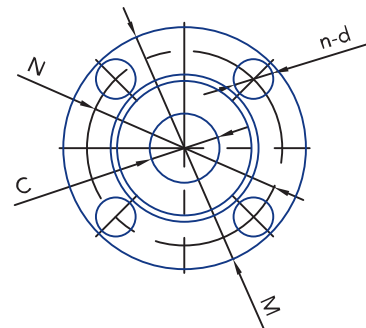


Parts Number	Parts Name
1	Motor
2	Pump Shaft
3	Bearing Cover
4	Slinger
5	Screw Plug
6	Seal Seat
7	Wear Ring
8	Mechanical Seal
9	Bearing
10	Adapter
11	Casing Cover
12	Impeller
13	Casing
14	Impeller Nut

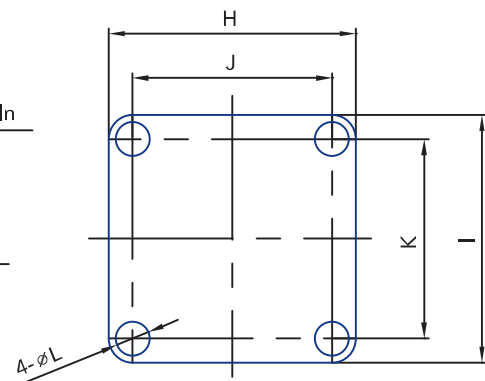
DIMENSIONAL SKETCHES



Suction & Discharge Flange



Pump Base View



DIMENSIONAL SKETCHES

No	Model	A	B	C	D	E	F	G	H	I	J	K	L	M	N	P	n-d
1	SPI 40-3213-0.55/S	113	152	40	150	310	407	145	200	230	170	200	12	150	110	18	4-Φ18
2	SPI 40-3213-0.75/F	113	152	40	150	310	407	145	200	230	170	200	12	150	110	18	4-Φ18
3	SPI 40-3213-1.1/F	113	152	40	150	310	407	145	200	230	170	200	12	150	110	18	4-Φ18
4	SPI 40-3213-1.5/F	113	152	40	150	310	422	155	200	230	170	200	12	150	110	18	4-Φ18
5	SPI 40-3213-2.2/F	113	152	40	150	310	447	155	200	230	170	200	12	150	110	18	4-Φ18
6	SPI 65-4013-0.75/S	128	152	65	175	360	407	145	200	230	170	200	12	185	145	20	4-Φ18
7	SPI 65-4013-1.5/F	128	152	65	175	360	422	155	200	230	170	200	12	185	145	20	4-Φ18
8	SPI 65-4013-2.2/F	128	152	65	175	360	447	155	200	230	170	200	12	185	145	20	4-Φ18
9	SPI 65-4013-3/F	128	164	65	175	360	489	180	200	230	170	200	12	185	145	20	4-Φ18
10	SPI 65-4013-4/F	128	164	65	175	360	504	190	200	230	170	200	12	185	145	20	4-Φ18
11	SPI 65-5013-1.1/S	155	152	65	200	410	422	155	200	230	170	200	12	185	145	20	4-Φ18
12	SPI 65-5013-5.5/F	155	187	65	200	410	577	210	200	230	170	200	12	185	145	20	4-Φ18
13	SPI 65-5013-7.5/F	155	187	65	200	410	577	210	200	230	170	200	12	185	145	20	4-Φ18
14	SPI 80-6513-1.1/S	160	152	80	220	460	422	155	200	230	170	200	12	200	160	25	8-Φ18
15	SPI 80-6513-1.5/S	160	152	80	220	460	447	155	200	230	170	200	12	200	160	25	8-Φ18
16	SPI 80-6513-5.5/F	160	187	80	220	460	577	210	200	230	170	200	12	200	160	25	8-Φ18
17	SPI 80-6513-7.5/F	160	187	80	220	460	577	210	200	230	170	200	12	200	160	25	8-Φ18
18	SPI 80-6513-11/F	160	220	80	220	460	725	255	200	230	170	200	12	200	160	25	8-Φ18
19	SPI 50-3216-0.55/S	118	152	50	160	320	407	145	200	230	170	200	12	165	125	20	4-Φ18
20	SPI 50-3216-2.2/F	118	152	50	160	320	447	155	200	230	170	200	12	165	125	20	4-Φ18
21	SPI 50-3216-3/F	118	164	50	160	320	489	180	200	230	170	200	12	165	125	20	4-Φ18
22	SPI 50-3216-4/F	118	164	50	160	320	504	190	200	230	170	200	12	165	125	20	4-Φ18
23	SPI 50-3216-5.5/F	118	187	50	160	320	577	210	200	230	170	200	12	165	125	20	4-Φ18
24	SPI 65-4016-1.1/S	138	152	65	195	370	422	155	200	230	170	200	12	185	145	20	4-Φ18
25	SPI 65-4016-3/F	138	164	65	195	370	489	180	200	230	170	200	12	185	145	20	4-Φ18
26	SPI 65-4016-4/F	138	164	65	195	370	504	190	200	230	170	200	12	185	145	20	4-Φ18
27	SPI 65-4016-5.5/F	138	187	65	195	370	577	210	200	230	170	200	12	185	145	20	4-Φ18
28	SPI 65-4016-7.5/F	138	187	65	195	370	577	210	200	230	170	200	12	185	145	20	4-Φ18
29	SPI 65-5016-1.5/S	138	152	65	220	440	477	155	200	230	170	200	12	185	145	20	4-Φ18
30	SPI 65-5016-7.5/F	138	187	65	220	440	577	210	200	230	170	200	12	185	145	20	4-Φ18
31	SPI 65-5016-11/F	138	220	65	220	440	725	255	200	230	170	200	12	185	145	20	4-Φ18
32	SPI 80-6516-2.2/S	158	164	80	220	480	489	180	200	230	170	200	12	200	160	25	8-Φ18
33	SPI 80-6516-11/F	158	220	80	220	480	725	255	200	230	170	200	12	200	160	25	8-Φ18
34	SPI 80-6516-15/F	158	220	80	220	480	725	255	200	230	170	200	12	200	160	25	8-Φ18
35	SPI 80-6516-18.5/F	158	220	80	220	480	780	255	200	230	170	200	12	200	160	25	8-Φ18
36	SPI 100-8016-2.2/S	188	164	100	260	540	489	180	200	230	170	200	12	220	180	24	8-Φ18
37	SPI 100-8016-3/S	188	164	100	260	540	489	180	200	230	170	200	12	220	180	24	8-Φ18
38	SPI 100-8016-15/F	188	220	100	260	540	725	255	200	230	170	200	12	220	180	24	8-Φ18
39	SPI 100-8016-18.5/F	188	220	100	260	540	780	255	200	230	170	200	12	220	180	24	8-Φ18
40	SPI 100-8016-22/F	188	220	100	260	540	810	280	200	230	170	200	12	220	180	24	8-Φ18
41	SPI 100-8016-30/F	188	222	100	260	540	839	305	200	230	170	200	12	220	180	24	8-Φ18
42	SPI 125-10016-4/S	220	179	125	330	690	592	190	300	300	260	260	14	250	210	26	8-Φ18
43	SPI 125-10016-22/F	220	234	125	330	690	897	280	300	300	260	260	14	250	210	26	8-Φ18
44	SPI 125-10016-30/F	220	237	125	330	690	897	305	300	300	260	260	14	250	210	26	8-Φ18
45	SPI 50-3220-1.1/S	118	151	50	210	420	421	155	200	230	170	200	14	165	125	20	4-Φ18
46	SPI 50-3220-5.5/F	118	186	50	210	420	576	210	200	230	170	200	14	165	125	20	4-Φ18
47	SPI 50-3220-7.5/F	118	186	50	210	420	576	210	200	230	170	200	14	165	125	20	4-Φ18
48	SPI 50-3220-11/F	118	218	50	210	420	723	255	200	230	170	200	14	165	125	20	4-Φ18
49	SPI 65-4020-1.1/S	138	151	65	240	480	421	155	200	230	170	200	14	185	145	20	4-Φ18
50	SPI 65-4020-1.5/S	138	151	65	240	480	446	155	200	230	170	200	14	185	145	20	4-Φ18
51	SPI 65-4020-5.5/F	138	186	65	240	480	576	210	200	230	170	200	14	185	145	20	4-Φ18
52	SPI 65-4020-7.5/F	138	186	65	240	480	576	210	200	230	170	200	14	185	145	20	4-Φ18
53	SPI 65-4020-11/F	138	218	65	240	480	723	255	200	230	170	200	14	185	145	20	4-Φ18
54	SPI 65-5020-2.2/S	138	166	65	240	480	491	180	200	230	170	200	14	185	145	20	4-Φ18
55	SPI 65-5020-3/S	138	166	65	240	480	491	180	200	230	170	200	14	185	145	20	4-Φ18
56	SPI 65-5020-11/F	138	221	65	240	480	726	255	200	230	170	200	14	185	145	20	4-Φ18
57	SPI 65-5020-15/F	138	221	65	240	480	726	255	200	230	170	200	14	185	145	20	4-Φ18
58	SPI 65-5020-18.5/F	138	221	65	240	480	781	255	200	230	170	200	14	185	145	20	4-Φ18
59	SPI 80-6520-3/S	150	163	80	260	540	488	180	200	230	170	200	14	200	160	25	8-Φ18
60	SPI 80-6520-4/S	150	163	80	260	540	503	190	200	230	170	200	14	200	160	25	8-Φ18
61	SPI 80-6520-15/F	150	218	80	260	540	723	255	200	230	170	200	14	200	160	25	8-Φ18
62	SPI 80-6520-18.5/F	150	218	80	260	540	778	255	200	230	170	200	14	200	160	25	8-Φ18
63	SPI 80-6520-22/F	150	218	80	260	540	808	280	200	230	170	200	14	200	160	25	8-Φ18
64	SPI 80-6520-30/F	150	221	80	260	540	881	305	200	230	170	200	14	200	160	25	8-Φ18
65	SPI 100-8020-4/S	188	179	100	290	600	519	190	200	230	170	200	14	220	180	24	8-Φ18
66	SPI 100-8020-5.5/S	188	202	100	290	600	592	210	200	230	170	200	14	220	180	24	8-Φ18
67	SPI 100-8020-7.5/S	188	202	100	290	600	632	210	200	230	170	200	14	220	180	24	8-Φ18
68	SPI 100-8020-30/F	188	237	100	290	600	897	305	200	230	170	200	14	220	180	24	8-Φ18

DIMENSIONAL SKETCHES

No	Model	A	B	C	D	E	F	G	H	I	J	K	L	M	N	P	n-d
69	SPI 100-8020-37/F	188	237	100	290	600	897	305	200	230	170	200	14	220	180	24	8-Φ18
70	SPI 100-8020-45/F	188	237	100	290	600	942	335	200	230	170	200	14	220	180	24	8-Φ18
71	SPI 125-10020-4/S	220	179	125	330	680	519	190	250	300	200	250	18	250	210	26	8-Φ18
72	SPI 125-10020-5.5/S	220	202	125	330	680	592	210	250	300	200	250	18	250	210	26	8-Φ18
73	SPI 125-10020-7.5/S	220	202	125	330	680	632	210	250	300	200	250	18	250	210	26	8-Φ18
74	SPI 125-10020-30/F	220	237	125	330	680	897	305	250	300	200	250	18	250	210	26	8-Φ18
75	SPI 125-10020-37/F	220	237	125	330	680	897	305	250	300	200	250	18	250	210	26	8-Φ18
76	SPI 125-10020-45/F	220	237	125	330	680	942	335	250	300	200	250	18	250	210	26	8-Φ18
77	SPI 150-12520-11/S	260	234	150	360	740	739	255	250	300	200	250	18	285	240	26	8-Φ22
78	SPI 200-15020-18.5/S	280	261	200	400	840	851	280	420	420	340	340	18	340	295	28	12-Φ22
79	SPI 50-3226-2.2/S	118	173	50	230	470	498	180	200	230	170	200	14	165	125	20	4-Φ18
80	SPI 50-3226-3/S	118	173	50	230	470	498	180	200	230	170	200	14	165	125	20	4-Φ18
81	SPI 50-3226-15/F	118	228	50	230	470	733	255	200	230	170	200	14	165	125	20	4-Φ18
82	SPI 50-3226-18.5/F	118	228	50	230	470	788	255	200	230	170	200	14	165	125	20	4-Φ18
83	SPI 65-4026-2.2/S	138	173	65	260	520	498	180	200	230	170	200	14	185	145	20	4-Φ18
84	SPI 65-4026-3/S	138	173	65	260	520	498	180	200	230	170	200	14	185	145	20	4-Φ18
85	SPI 65-4026-15/F	138	228	65	260	520	733	255	200	230	170	200	14	185	145	20	4-Φ18
86	SPI 65-4026-18.5/F	138	228	65	260	520	788	255	200	230	170	200	14	185	145	20	4-Φ18
87	SPI 65-4026-22/F	138	228	65	260	520	818	280	200	230	170	200	14	185	145	20	4-Φ18
88	SPI 65-5026-2.2/S	138	174	65	260	520	497	180	200	230	170	200	14	185	145	20	4-Φ18
89	SPI 65-5026-3/S	138	174	65	260	520	497	180	200	230	170	200	14	185	145	20	4-Φ18
90	SPI 65-5026-4/S	138	174	65	260	520	512	190	200	230	170	200	14	185	145	20	4-Φ18
91	SPI 65-5026-5.5/S	138	197	65	260	520	587	210	200	230	170	200	14	185	145	20	4-Φ18
92	SPI 65-5026-22/F	138	229	65	260	520	819	280	200	230	170	200	14	185	145	20	4-Φ18
93	SPI 65-5026-30/F	138	232	65	260	520	892	305	200	230	170	200	14	185	145	20	4-Φ18
94	SPI 80-6526-5.5/S	168	202	80	290	590	592	210	200	230	170	200	14	200	160	22	8-Φ18
95	SPI 80-6526-7.5/S	168	202	80	290	590	632	210	200	230	170	200	14	200	160	22	8-Φ18
96	SPI 80-6526-37/F	168	237	80	290	590	997	305	200	230	170	200	14	200	160	22	8-Φ18
97	SPI 100-8026-7.5/S	188	202	100	310	630	632	210	200	230	170	200	14	220	180	24	8-Φ18
98	SPI 100-8026-11/S	188	234	100	310	630	739	255	200	230	170	200	14	220	180	24	8-Φ18
99	SPI 125-10026-11/S	220	238	125	340	700	743	255	250	300	200	250	18	250	210	26	8-Φ18
100	SPI 125-10026-15/S	220	238	125	340	700	798	255	250	300	200	250	18	250	210	26	8-Φ18
101	SPI 150-12526-15/S	260	238	150	360	760	798	255	250	300	200	250	18	285	240	26	8-Φ22
102	SPI 150-12526-18.5/S	260	238	150	360	760	822	280	250	300	200	250	18	285	240	26	8-Φ22
103	SPI 150-12526-22/S	260	238	150	360	760	862	280	250	300	200	250	18	285	240	26	8-Φ22
104	SPI 150-12526-30/S	260	241	150	360	760	892	305	250	300	200	250	18	285	240	26	8-Φ22
105	SPI 200-15026-30/S	280	248	200	380	830	1018	305	300	350	250	300	18	340	295	30	12-Φ22
106	SPI 65-4032-4/S	138	179	65	290	580	519	190	200	230	170	200	14	185	145	20	4-Φ18
107	SPI 65-4032-5.5/S	138	201	65	290	580	591	210	200	230	170	200	14	185	145	20	4-Φ18
108	SPI 65-5032-4/S	155	179	65	290	580	519	190	200	230	170	200	14	185	145	20	4-Φ18
109	SPI 65-5032-5.5/S	155	201	65	290	580	591	210	200	230	170	200	14	185	145	20	4-Φ18
110	SPI 65-5032-7.5/S	155	201	65	290	580	631	210	200	230	170	200	14	185	145	20	4-Φ18
111	SPI 65-5032-11/S	155	231	65	290	580	736	255	200	230	170	200	14	185	145	20	4-Φ18
112	SPI 80-6532-7.5/S	175	201	80	310	640	631	210	250	300	200	250	18	200	160	22	8-Φ18
113	SPI 80-6532-11/S	175	235	80	310	640	740	255	250	300	200	250	18	200	160	22	8-Φ18
114	SPI 80-6532-15/S	175	235	80	310	640	740	255	250	300	200	250	18	200	160	22	8-Φ18
115	SPI 100-8032-11/S	186	235	100	340	700	740	255	250	300	200	250	18	220	180	24	8-Φ18
116	SPI 100-8032-15/S	186	235	100	340	700	795	255	250	300	200	250	18	220	180	24	8-Φ18
117	SPI 125-10032-15/S	240	235	125	360	740	795	255	250	300	200	250	18	250	210	26	8-Φ18
118	SPI 125-10032-18.5/S	240	235	125	360	740	825	280	250	300	200	250	18	250	210	26	8-Φ18
119	SPI 125-10032-22/S	240	235	125	360	740	865	280	250	300	200	250	18	250	210	26	8-Φ18
120	SPI 150-12532-15/S	260	249	150	400	895	809	255	420	420	340	340	18	285	240	26	8-Φ22
121	SPI 150-12532-18.5/S	260	249	150	400	895	839	280	420	420	340	340	18	285	240	26	8-Φ22
122	SPI 150-12532-22/S	260	249	150	400	895	879	280	420	420	340	340	18	285	240	26	8-Φ22
123	SPI 150-12532-30/S	260	249	150	400	895	909	305	420	420	340	340	18	285	240	26	8-Φ22
124	SPI 200-15032-30/S	300	250	200	430	920	910	305	420	420	340	340	18	340	295	30	12-Φ22
125	SPI 200-15032-37/S	300	285	200	430	920	965	335	420	420	340	340	18	340	295	30	12-Φ22
126	SPI 200-15032-45/S	300	285	200	430	920	990	335	420	420	340	340	18	340	295	30	12-Φ22
127	SPI 200-15032-55/S	300	285	200	430	920	1055	370	420	420	340	340	18	340	295	30	12-Φ22
128	SPI 100-8040-22/S	220	249	100	400	800	879	280	370	370	310	310	18	220	180	24	8-Φ18
129	SPI 100-8040-30/S	220	249	100	400	800	909	305	370	370	310	310	18	220	180	24	8-Φ18
130	SPI 125-10040-30/S	240	249	125	380	810	909	305	250	300	200	250	18	250	210	26	8-Φ18
131	SPI 125-10040-37/S	240	284	125	380	810	964	335	250	300	200	250	18	250	210	26	8-Φ18
132	SPI 125-10040-45/S	240	284	125	380	810	989	335	250	300	200	250	18	250	210	26	8-Φ18
133	SPI 150-12540-37/S	250	284	150	400	850	964	335	300	350	250	300	18	285	240	26	8-Φ22
134	SPI 150-12540-45/S	250	284	150	400	850	989	335	300	350	250	300	18	285	240	26	8-Φ22
135	SPI 150-12540-55/S	250	284	150	400	850	1054	370	300	350	250	300	18	285	240	26	8-Φ22



SPV SERIES



SPLV SERIES



SPU, SPB, SPC, SPD SERIES



SPE, SPI, SPS SERIES



SUPERPOWER PUMPING ENGINEERING CO., LTD

G/F., Times Tower, 928-930 Cheung Sha Wan Road, Kowloon, Hong Kong
 Sales Hotline: (852) 2746 4933 Fax: (852) 2786 2307
 Website: www.sppump.com Email: info@sppump.com



While the production techniques continue to improve, designs and materials used for the products may thus be varied from time to time. No further notice will be provided.

Rev. 05/2010